

RS18- Bonded Carbon full size- disposable

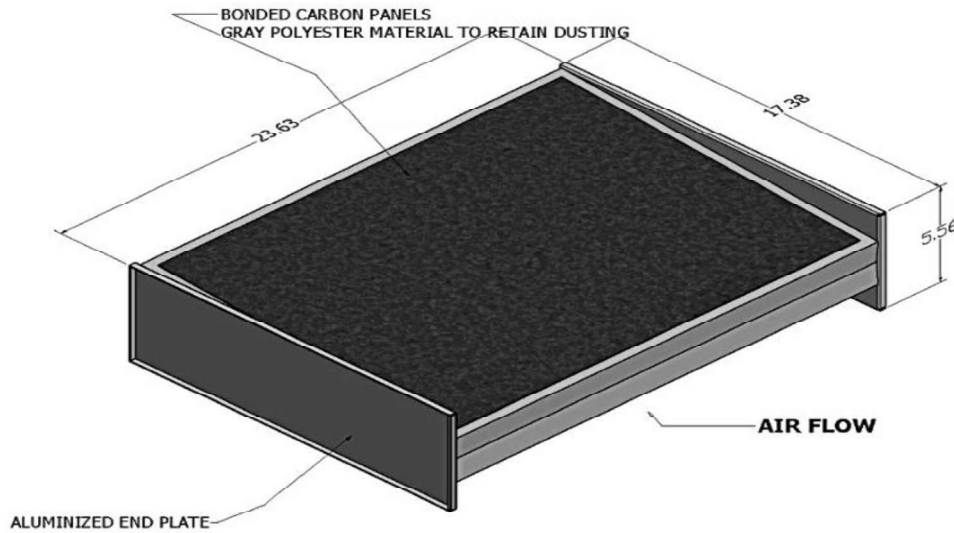
MODEL #

RS18-BCD

FILLED WITH 60 CTC COCONUT

RS18-BKOHHD

FILLED KOH IMPREGNATED



SPECIFICATIONS

DIMENSIONS: 23³/₈ X 17³/₈ X 5⁹/₁₆

END PLATES MADE FROM 18 GAUGE ALUMINIZED

SCREWED / RIVET CONSTRUCTION

DESIGN VELOCITY: 500CFM
.43" W.G @ 500 FT/MN

MEDIA WEIGHT: +/- 10%

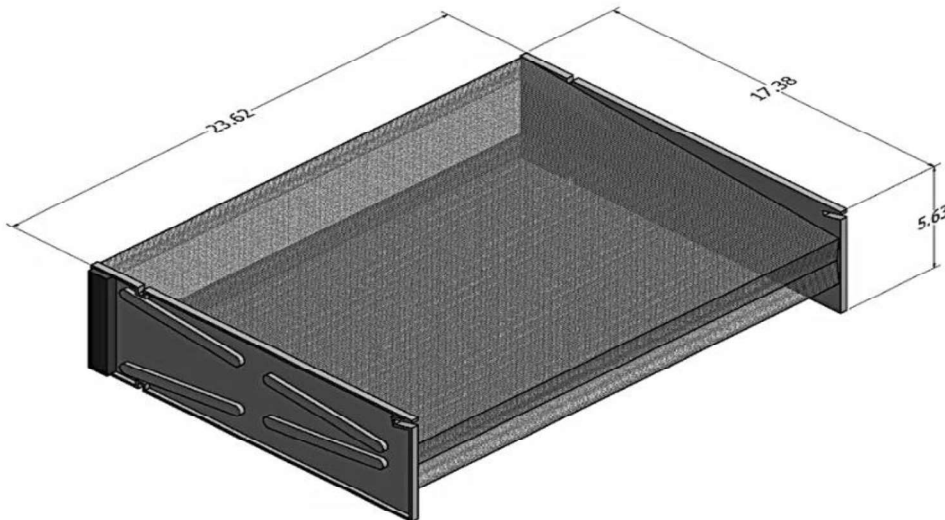
CARBON - 15.5LBS

KOH-impregnated -18.5LBS

DRAWN	3/15/2010	TITLE	18FB
CHECKED		SIZE	C
TOLERANCE:	+/- 1/16	DWG NO	18F BONDED MODULE
SQUARNESS	+/- 1/8	SCALE	1/8" = 1" (SHEET 1 OF 1)

RS18-Plastic

PART NUMBER	PART SIZE PER SET	RATED AIR FLOW CFM	RESISTANCE W.G	MEDIA TYP	MEDIA WEIGHT PER SET
RS18P-CF	5 ¹ / ₈ X 23 ³ / ₈ X 17 ³ / ₈	500	.55	60CTC PELLET	12.2 LBS +/-10%
RS18P-CPF	5 ¹ / ₈ X 23 ³ / ₈ X 17 ³ / ₈	500	.55	50% BLEND PELLET/POTASSIUM	16 LBS +/-10%
RS18P-PF	5 ¹ / ₈ X 23 ³ / ₈ X 17 ³ / ₈	500	.55	POTASSIUM	18.8 LBS +/-10%
RS18P-KOH	5 ¹ / ₈ X 23 ³ / ₈ X 17 ³ / ₈	500	.55	KOH IMPREG.	13LBS +/-10 %



NOTE: MODEL SHOWN: ONE

SPECIFICATIONS

MADE FROM POLYCARBONITE PLASTIC

.080X .500 SLOTTED PERF

MODULE IS INCINERABLE

PRESSURE DROP

.55 @ 500CFM

ALL MEDIA WEIGHT IS +/- 10%

SIDE ACCESS LOAD SYSTEMS
MODULES ARE RECOMMENDED TO HAVE FOAM ON SIDE FOR
PROPER SEAL

DRAWN	3/14/2010	TITLE	18PF
CHECKED		SIZE	C
TOLERANCE:	+0 / - 1/8	DWG NO	PLASTIC 30 FULL SIZE POLYCARBONITE
SQUARNESS	+/- 1/16	SCALE	1/8" = 1" (SHEET 1 OF 1)